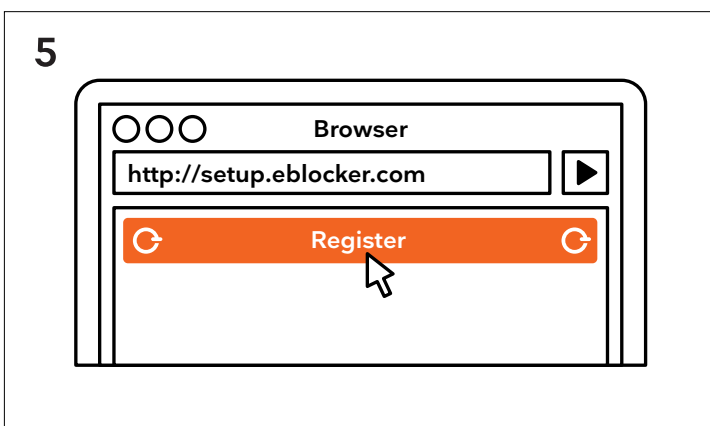
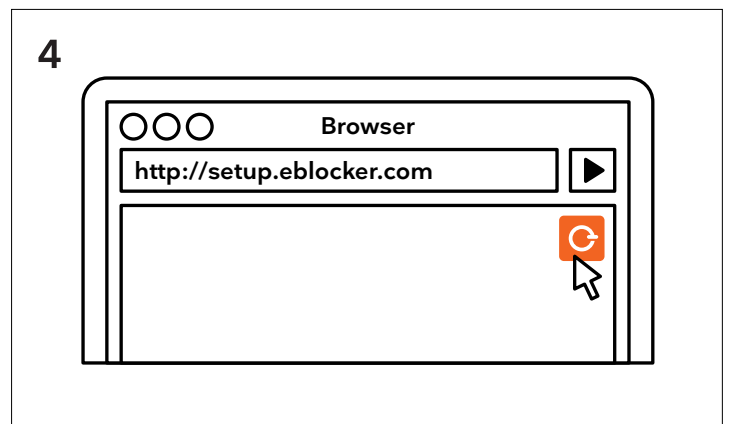
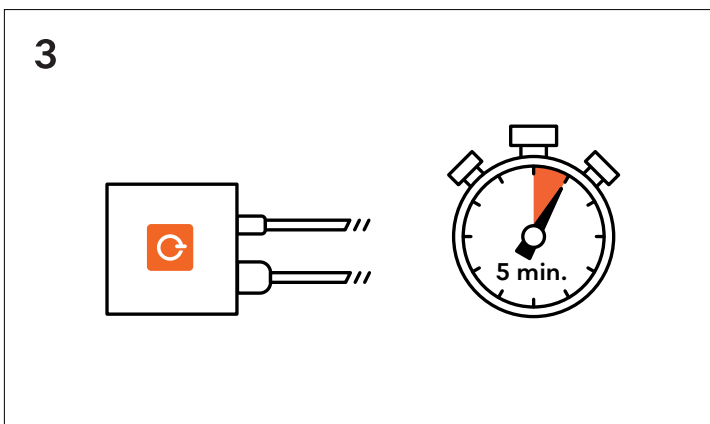
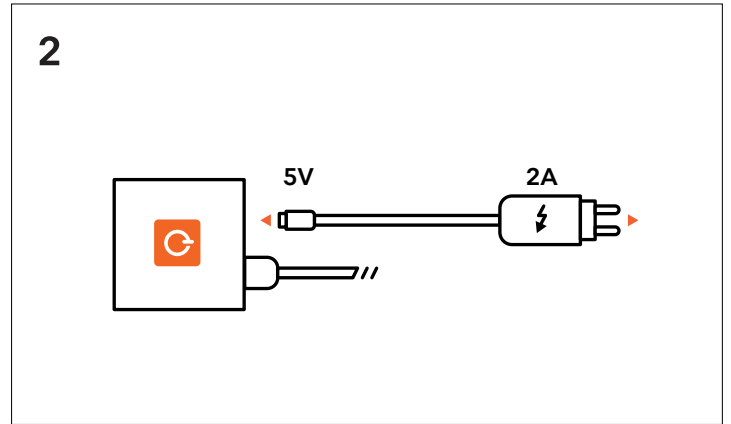
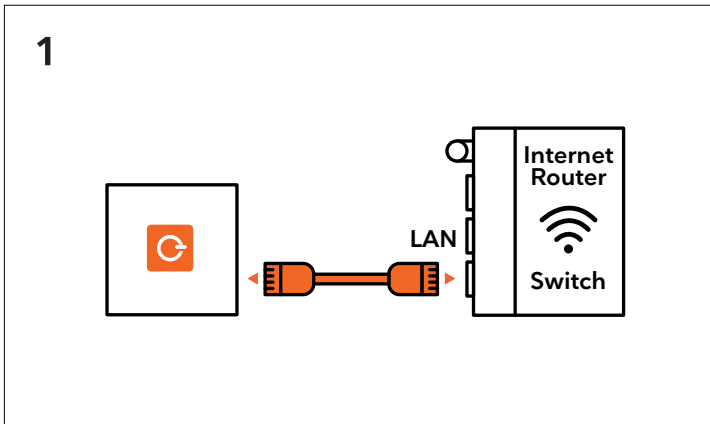


# eBlocker Installation

Plug & Play

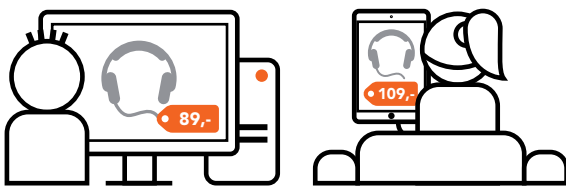
A simple line-art icon of a person with a question mark above their head, representing a user with questions or needing support.

**Questions & Support**  
<http://user.forum.eblocker.com>

# Prevents Online Dangers

## Stops Dynamic Pricing

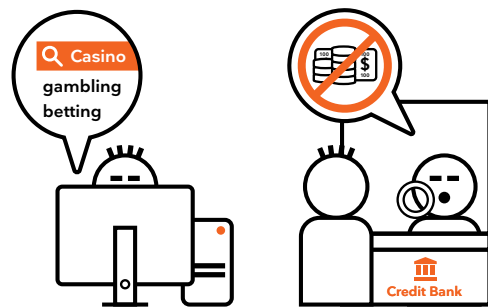
based on Device Fingerprints



Today, prices in online shops adjust to your predicted buying power: You may end up paying more than your neighbor for the same product.

## Prevents Credit Rating

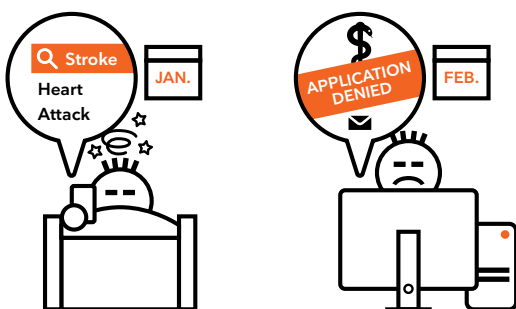
based on User Profiles



Credit applications are rated based on your behavior pattern. For instance, gambling online can ruin your scoring and decrease your chances for a loan.

## Prevents Insurance Ratings

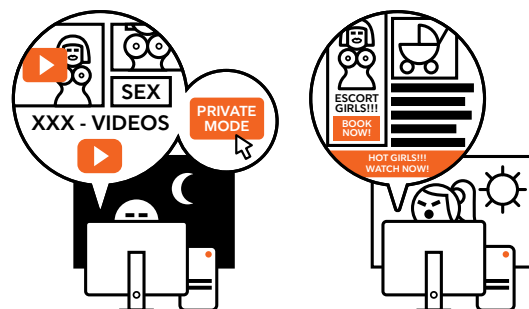
based on Online Patterns



Insurance companies may use your user profile to evaluate your health history. This leads to higher rates or even to denial of your health insurance application.

## Stops Behavioral Targeting

based on Surfing Habits



Advertisers analyze your online behavior to target ads. Even if you enable „Private Mode“, others using the same device still see what you have been up to.